

SHOWER
Pressure Balancing Shower
System - Shower with
Handshower
G-7295-LM55S

GRAFF®



Information

- 1/2" pressure balancing valve with diverter and trim
- 8" showerhead with 12" wall-mounted shower arm
- Showerhead features no-clog, easy-clean spray nozzles
- Handshower set with wall bracket and 59" hose (PVD finishes use 59" flex hose)
- Optional extension kit
- Flow rates: showerhead ≤ 1.8 max gpm, handshower ≤ 1.5 max gpm
- ADA
- CALGreen

G-7295-LM55S

Incanto Collection

Full Pressure Balancing System - Shower with Handshower

GRAFF[®]
CUTTING EDGE DESIGN



Product Features

- 1/2" rough valve w/diverter, trim plate and handle
- 8" showerhead with 12" arm & flange
- Flow rates: showerhead ≤ 1.8 max gpm, handshower ≤ 1.5 max gpm
- Wall bracket handshower set with 59" hose
- Showerhead features no-clog, easy-clean spray nozzles
- Optional extension kit

Available Finishes

- Polished Chrome
G-7295-LM55S-PC
- Brushed Nickel
G-7295-LM55S-BNi
- Polished Nickel
G-7295-LM55S-PN
- Olive Bronze*
G-7295-LM55S-OB*
- Brushed Gold*
G-7295-LM55S-BAU*

* Special order finish- call for availability

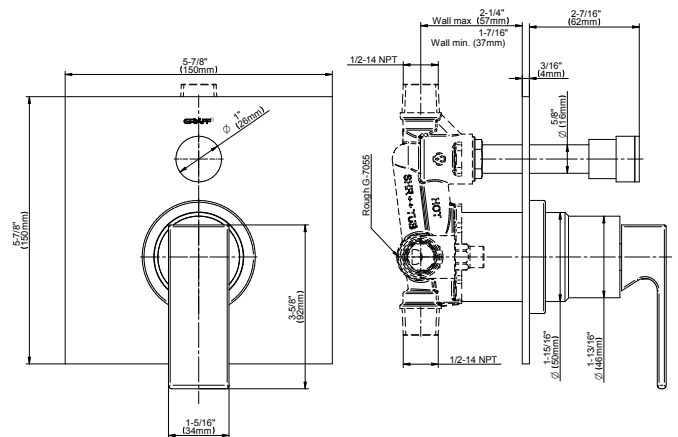
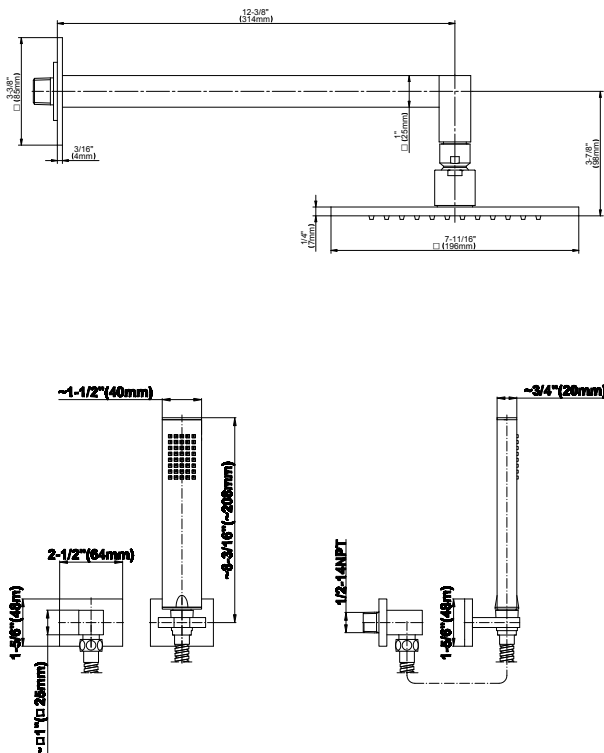
Code Compliance

- CALGreen

Warranty

- Limited lifetime warranty

For complete warranty information go to <https://www.graff-faucets.com/en/info/faqs>



The measurements shown are for reference only. Products and specifications shown are subject to change without notice. Revised 3/2018

www.graff-designs.com | phone: 800-954-4723

SHOWER
Concealed Pressure Balancing
Valve Rough w/Diverter
G-7055

GRAFF®



Information

- Anti-scald protection
- 1/2" universal inlets/outlets with male threads
- Built-in service stops
- Push-button diverter
- For use with tub & shower configuration
- Supplied with protective plastic guard

Finishes



G-7055

1/2" Rough Valve w/Diverter



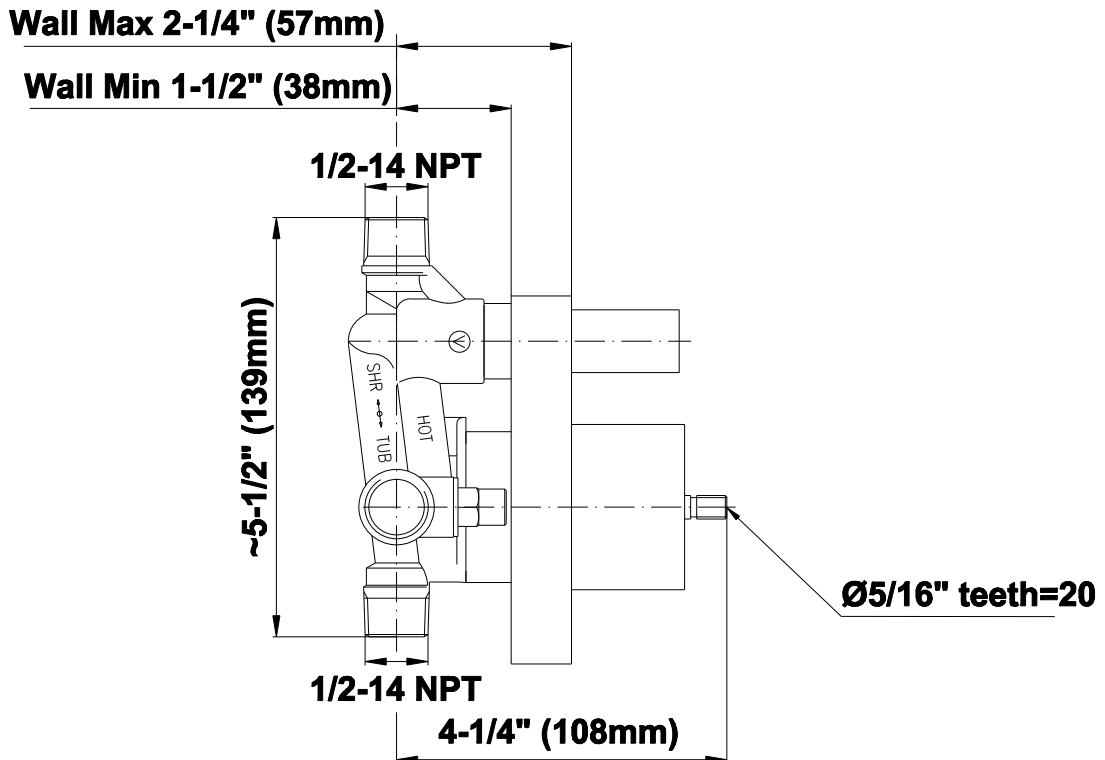
Product Features

- Anti-scald protection
- 1/2" universal inlets/outlets with male threads
- Built-in service stops
- Push-button diverter
- For use with tub & shower configuration
- Supplied with protective plastic guard

Warranty

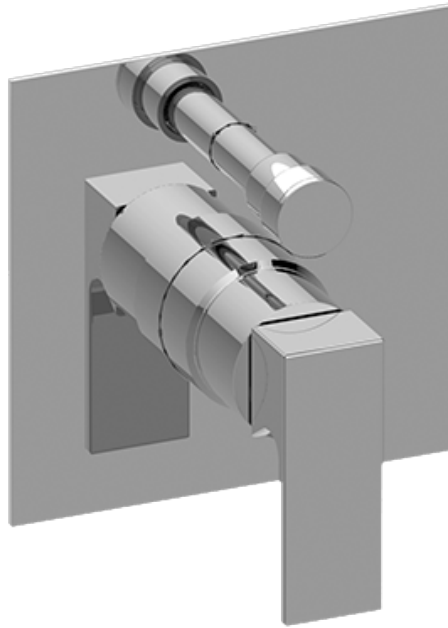
- Limited lifetime warranty

For complete warranty information go to www.graff-faucets.com/en-nam/warranty



SHOWER
Pressure Balancing Valve Trim
with Handle & Diverter
G-7090-LM55S-T

GRAFF[®]



Information

- Single metal handle, decorative trim plate
- Includes push-button diverter
- Use with G-7055 pressure balancing rough valve
- ADA

Finishes



G-7090-LM55S-T

Pressure Balancing Valve Trim with Handle & Diverter
Incanto Collection



Product Features

- Single metal handle, decorative trim plate
- Includes push-button diverter
- Use with G-7055 pressure balancing rough valve

Available Finishes

- Polished Chrome
G-7090-LM55S-PC-T
- Brushed Nickel
G-7090-LM55S-BNI-T
- Polished Nickel
G-7090-LM55S-PN-T
- Olive Bronze*
G-7090-LM55S-OB-T*
- Brushed Gold*
G-7090-LM55S-BAU-T*

* Special order finish- call for availability

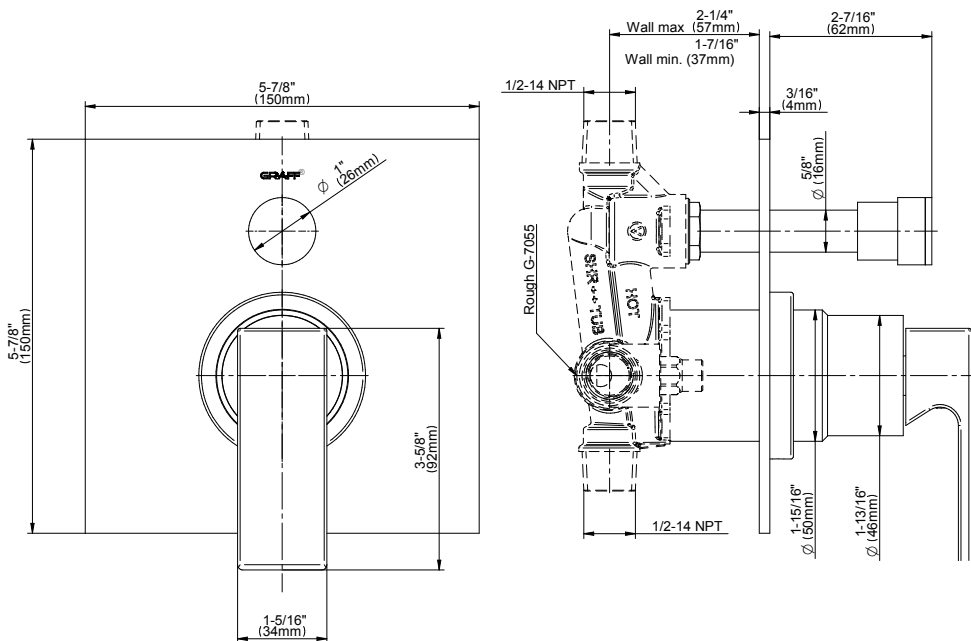
Code Compliance

- ADA

Warranty

- Limited lifetime warranty

For complete warranty information go to <https://www.graff-faucets.com/en/info/faqs>



The measurements shown are for reference only. Products and specifications shown are subject to change without notice. Revised 1/2018.

www.graff-designs.com | phone: 800-954-4723

SHOWER
 Pressure Balancing Shower
 System - Shower with
 Handshower
G-7295-LM55S

GRAFF®



Information

- 1/2" pressure balancing valve with diverter and trim
- 8" showerhead with 12" wall-mounted shower arm
- Showerhead features no-clog, easy-clean spray nozzles
- Handshower set with wall bracket and 59" hose (PVD finishes use 59" flex hose)
- Optional extension kit
- Flow rates: showerhead ≤ 1.8 max gpm, handshower ≤ 1.5 max gpm
- ADA
- CALGreen

Finishes



G-7295-LM55S

Incanto Collection

Full Pressure Balancing System - Shower with Handshower

GRAFF[®]
CUTTING EDGE DESIGN



Product Features

- 1/2" rough valve w/diverter, trim plate and handle
- 8" showerhead with 12" arm & flange
- Flow rates: showerhead ≤ 1.8 max gpm, handshower ≤ 1.5 max gpm
- Wall bracket handshower set with 59" hose
- Showerhead features no-clog, easy-clean spray nozzles
- Optional extension kit

Available Finishes

- Polished Chrome
G-7295-LM55S-PC
- Brushed Nickel
G-7295-LM55S-BNI
- Polished Nickel
G-7295-LM55S-PN
- Olive Bronze*
G-7295-LM55S-OB*
- Brushed Gold*
G-7295-LM55S-BAU*

* Special order finish- call for availability

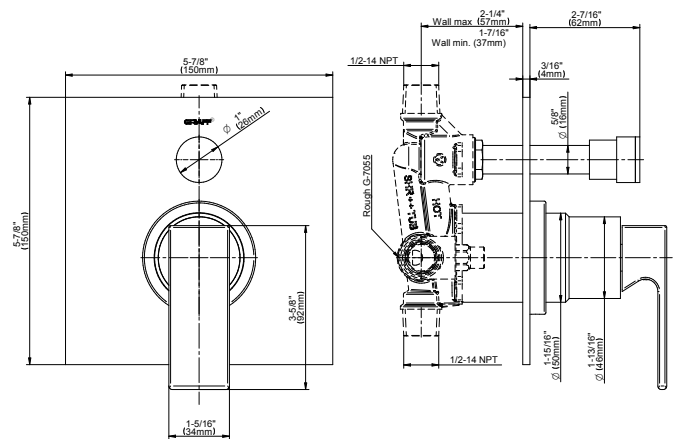
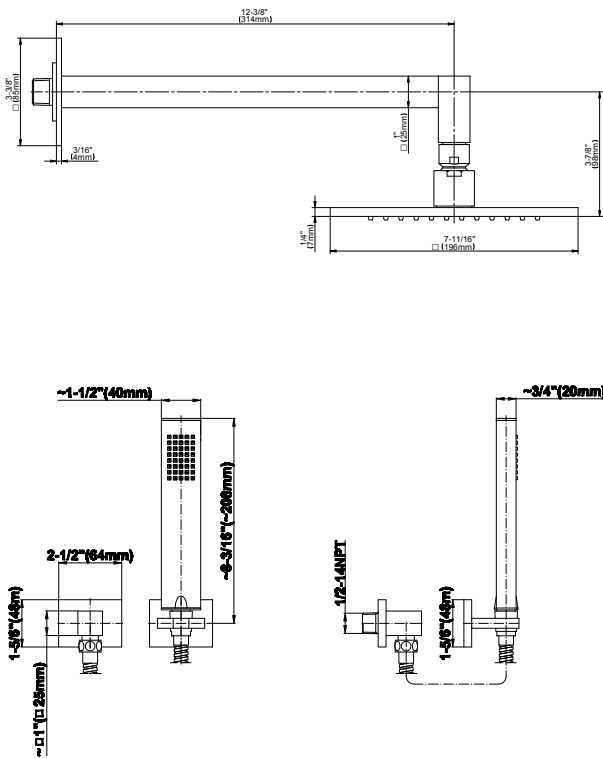
Code Compliance

- CALGreen

Warranty

- Limited lifetime warranty

For complete warranty information go to <https://www.graff-faucets.com/en/info/faqs>

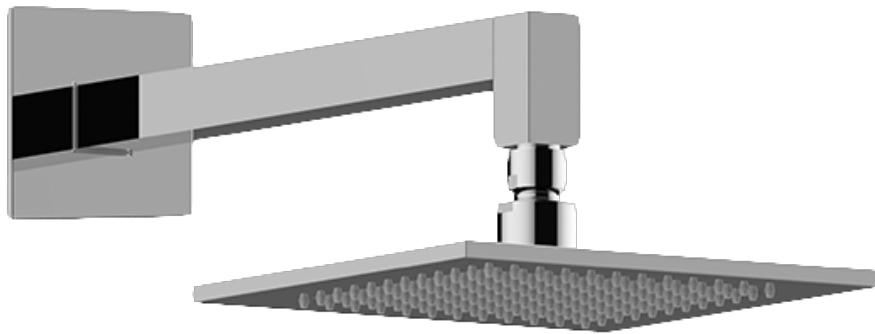


The measurements shown are for reference only. Products and specifications shown are subject to change without notice. Revised 3/2018

www.graff-designs.com | phone: 800-954-4723

SHOWER
Contemporary Showerhead with
Arm
G-8355

GRAFF®



Information

- 8" square, low-profile rainshower head
- 12" shower arm and flange
- 144 no-clog, easy-clean rubber spray nozzles
- Showerhead flow rate ≤ 1.8 max gpm
- CALGreen

Finishes



G-8355

Contemporary Showerhead with Arm



Product Features

- 1/4" thick, 8" round, low-profile rain showerhead
- 12" shower arm includes flange
- 144 no-clog, easy-clean rubber spray nozzles
- 1/2" NPT male thread inlet
- Showerhead flow rate ≤ 1.8 max gpm

Available Finishes

- Polished Chrome
G-8355-PC
- Brushed Nickel
G-8355-BNi
- Polished Nickel
G-8355-PN
- Unfinished Brass*
G-8355-UB*
- Steelnix
G-8355-SN
- Olive Bronze*
G-8355-OB*
- Architectural Black with Chrome Accents*
G-8355-PC/BK*
- Gold*
G-8355-AU*
- Brushed Gold*
G-8355-BAU*

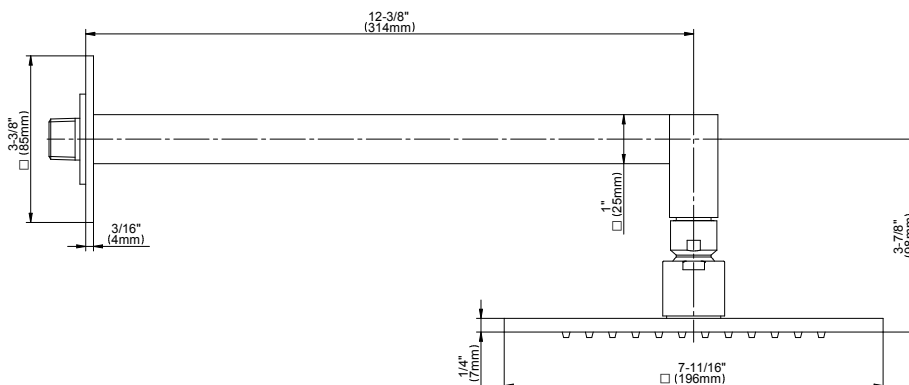
Code Compliance

- CALGreen

Warranty

- Limited lifetime warranty

For complete warranty information go to www.graff-designs.com/en-nam/warranty



The measurements shown are for reference only. Products and specifications shown are subject to change without notice. Revised 12/2017

www.graff-designs.com | phone: 800-954-4723

SHOWER
Contemporary handshower w/Wall
Bracket
G-8649

GRAFF®



Information

- Handshower with holder
- 59" shower hose and wall supply elbow
- Bracket fits all hoses with conical nut
- Handshower flow rate ≤ 1.5 max gpm
- Includes internal backflow preventer
- CALGreen

Finishes



G-8649

