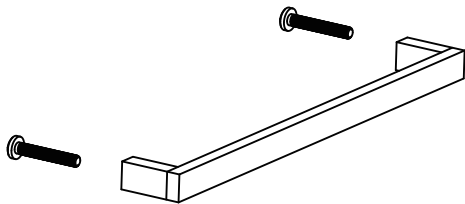
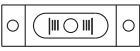
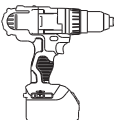

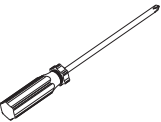



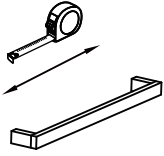
MUNICH COLLECTION CABINET PULL

- 4" 288704
- 6" 288706
- 8" 288708
- 12" 288712
- 18" 288718

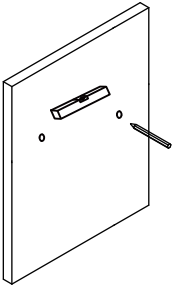


Tools required for installation

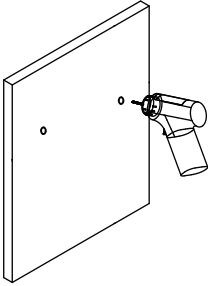
		
Level	Drill	Pencil
		
Screwdriver	Hammer	



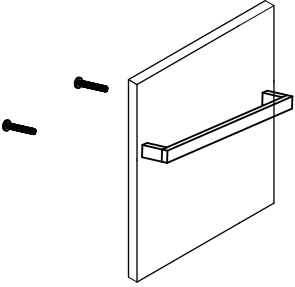
Step 1
Measure the Center to Center distance of pull with tape.



Step 2
Mark the holes position with pencil, make sure the holes are level.



Step 3
Drill holes on the board.



Step 4
Fix the screws onto pull and tighten it.