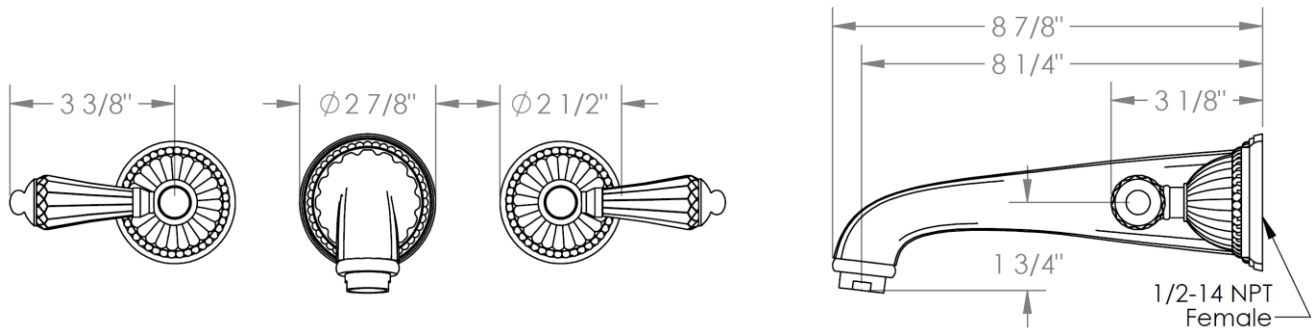


180-2.2-__

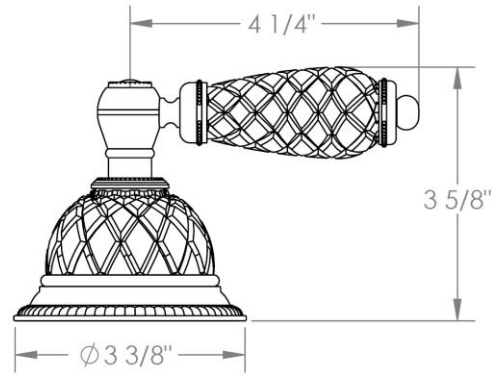
Wall Mounted 3 Hole Lavatory Set
For use with SS-THV2.2 concealed rough
Flow Rate: 1.2 GPM



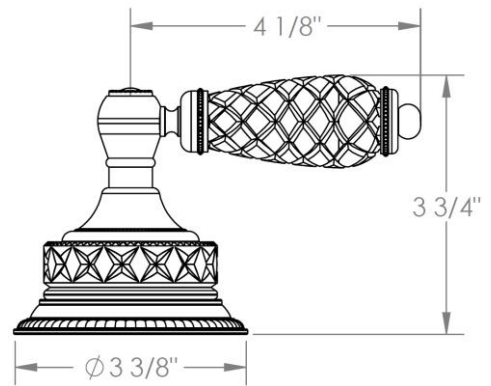
Meets the applicable requirements of ASME A112.18.1-2005/CSA B125.1-05, entitled "Plumbing Supply Fittings"

HANDLE TRIM OPTIONS

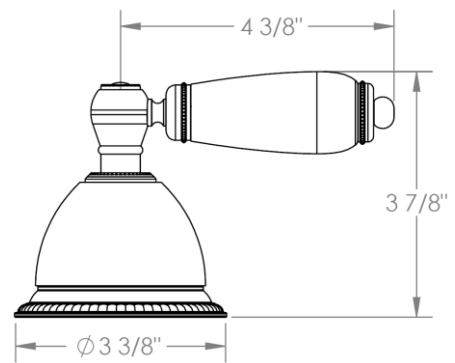
AA - VENICE



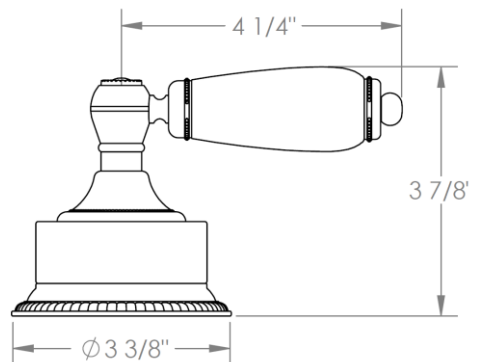
BB - GENOA



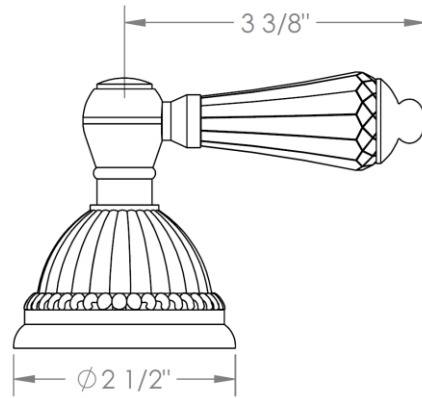
CC - POMPEI



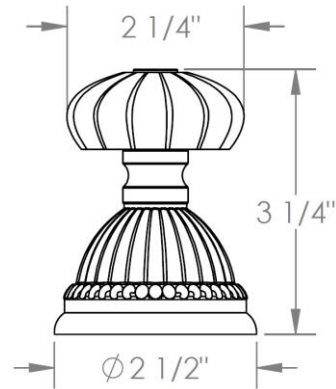
DD - NAPLES



SWU - FLORENCE



T - TUSCANY



U- BOLOGNA

